

QUICK REFERENCE GUIDE

Module Housing (IP65) for Humidity Module HMM100



- IP65 rated housing for a single HMM100 module
- For installation in unprotected environments

GENERAL

The module housing for HMM100 humidity modules includes the following items:

- plastic housing with integrated screws on the cover
- metal mounting bracket with screws for the module
- screws and clamps for holding the probe cable and the power/signal cable
- Abiko connector (4.8mm push-on male terminal) to be used with unshielded power/signal cables
- two-part rubber plug for sealing the probe cable gland

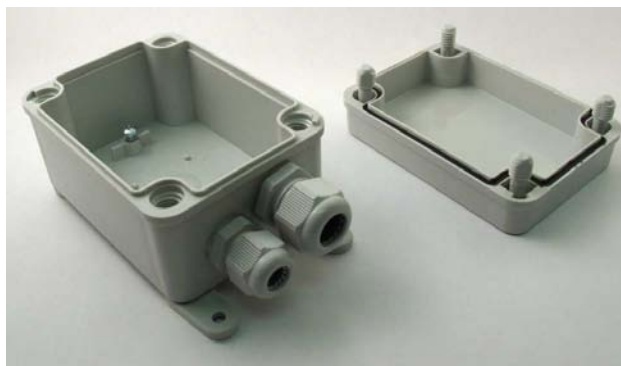


Figure 1 Housing Opened



Figure 2 Installation Accessories

INSTALLATION

1. Attach the module to the bracket with four screws; see Figure 3.



Figure 3 Module Mounted in the Bracket

2. Route the probe cable and your power/signal cable through the cable glands. The power/signal cable should be 5 ... 10 mm in diameter.

The larger cable gland is meant for the probe cable - push the probe through it from the inside.

3. Connect the power/signal cable to the screw terminals. Refer to the HMM100 User's Guide for wiring instructions.
4. Attach the probe cable and the power/signal cable to the right side of the bracket using the screws and metal clips (included). See Figure 4 for the suggested placement.

Make sure that the shield of the power/signal cable makes good contact with the bracket. If your cable is unshielded, you can provide the earth connection by using a separate cable and the Abiko connector provided (visible in Figure 4).

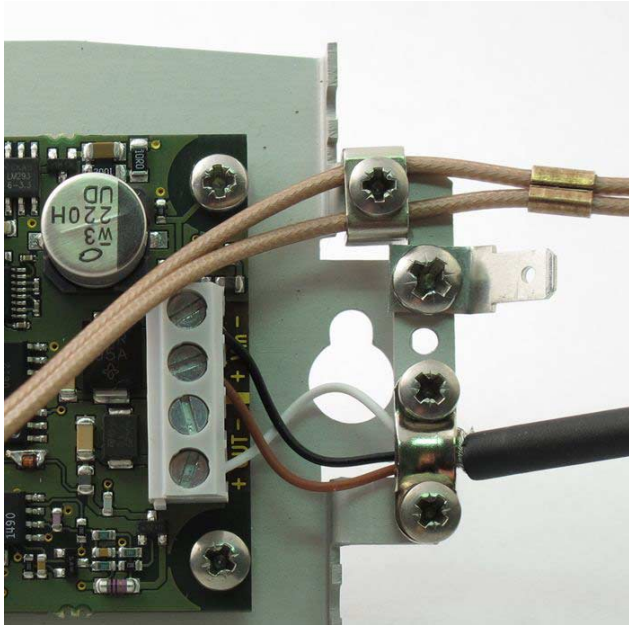


Figure 4 Connecting Cables

5. Mount the bracket to the bottom of the housing using the two large screws that are preinstalled in the bottom of the housing. The cables should face right toward the cable glands. See Figure 5.



Figure 5 Bracket Installed and Cables Connected

6. Assemble the rubber plug around the probe cable, and push it into the cable gland. See Figure 6.

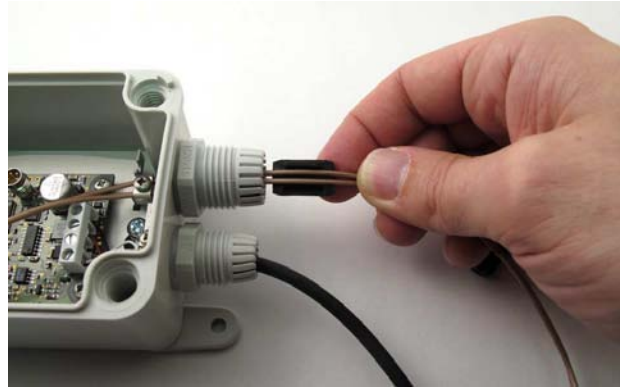


Figure 6 Assembling the Probe Cable Plug

7. Tighten both cable glands and close the housing.

NOTE When you place the cover on the housing, match the two raised corners with the indentations on the cover. Otherwise the housing will not close tightly.

8. Mount the housing in the desired location. For mounting dimensions, see Figure 7. The diameter of the screw holes for mounting the housing is 5.2 mm.
9. Verify the installation: power up the module and check the output reading.

DIMENSIONS

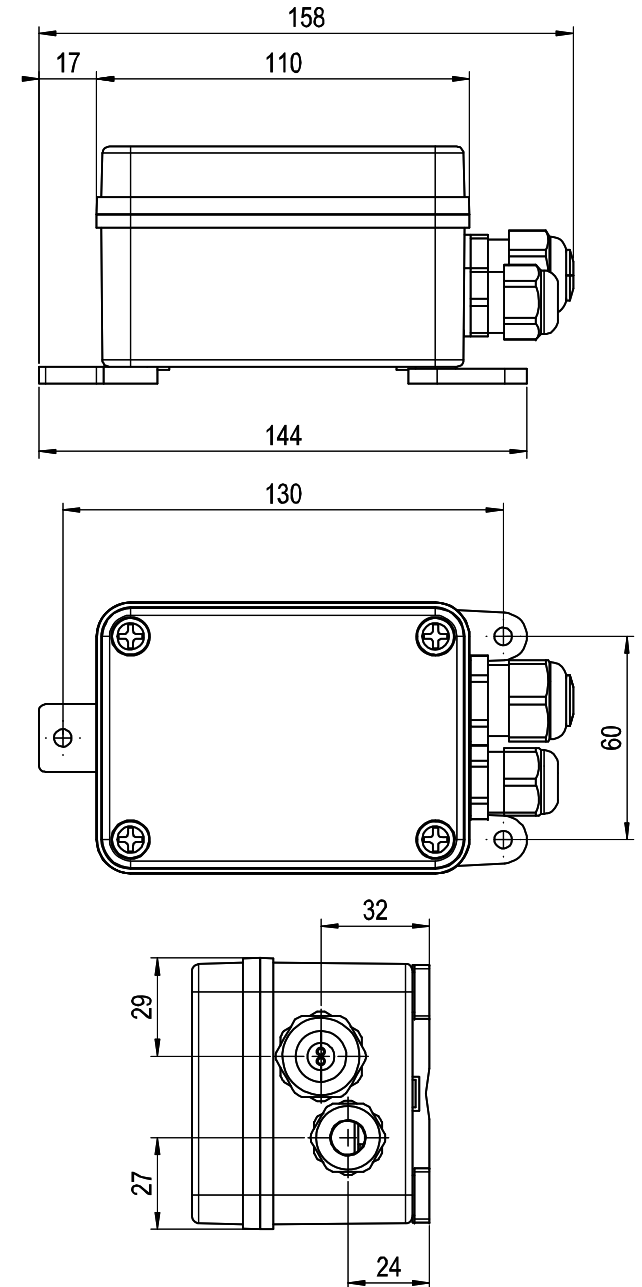


Figure 7 Module Housing Dimensions