

DTR500 Solar Radiation and Precipitation Shields



The Vaisala Solar Radiation Shield Series DTR500 are available in either a 9 or 12-plate, model.

Features/Benefits

- Protects temperature and humidity probes from scattered, as well as, direct solar radiation and rain.
- Maintenance-free
- Naturally ventilated
- Installs easily on a vertical pole, horizontal beam or flat surface
- Suitable for a wide range of applications
- Choice of shields and mounting accessories

The Vaisala Radiation Shield Series DTR500 are solar radiation and precipitation shields support humidity probe installations in outdoor applications.

Shield protects sensor

The maintenance-free DTR500 series shields protect the humidity and temperature sensors from solar radiation and precipitation. They provide excellent ventilation while blocking both direct and reflected solar radiation.

The special plastic used in the plates has excellent thermal characteristics; the white outer surface reflects radiation; the black inside absorbs accumulated heat. The shields can be easily installed on either a vertical pole, horizontal beam, or a flat surface.

The DTR Shields can be used with the following Vaisala probes:

- Vaisala HUMICAP® Humidity and Temperature Probes HMP45A/D
- Vaisala HUMICAP® Humidity and Temperature Transmitter HMT337
- Vaisala HUMICAP® Humidity and Temperature Transmitter HMT100

Choice of models and installation accessories

Two models are available:

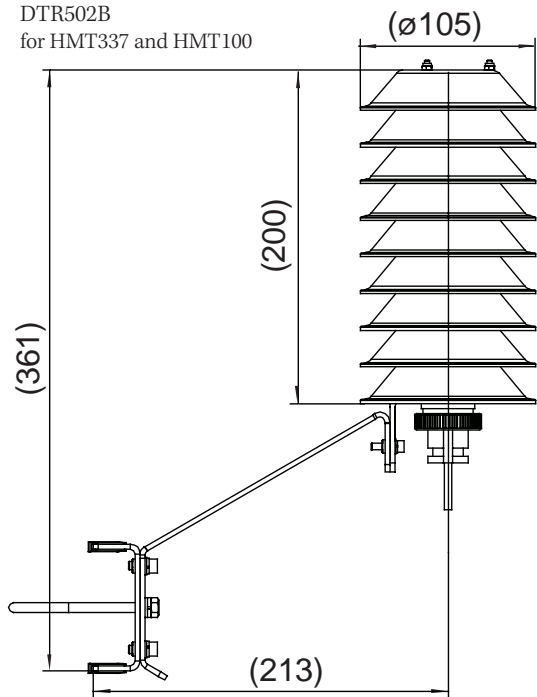
- Nine-plate shield:
Vaisala Radiation Shield DTR502B for HMT337 and HMT100
- Twelve plate shield:
Vaisala Radiation Shield DTR503A for HMP45A/D

Technical Data

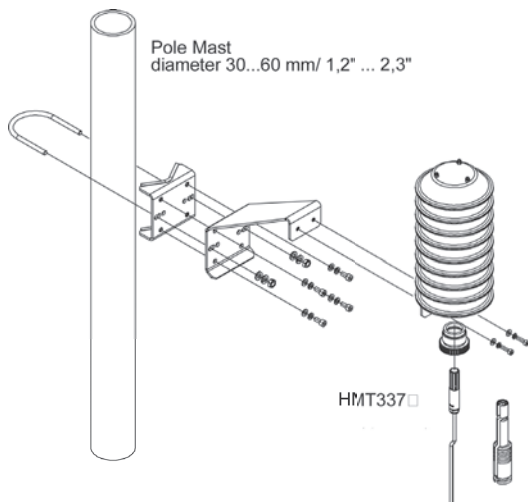
Dimensions

Dimensions in mm.

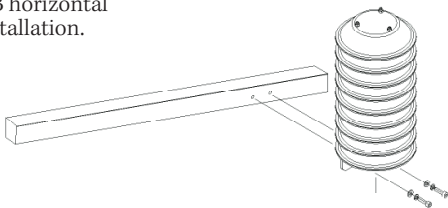
DTR502B
for HMT337 and HMT100



DTR502B pole mast installation.



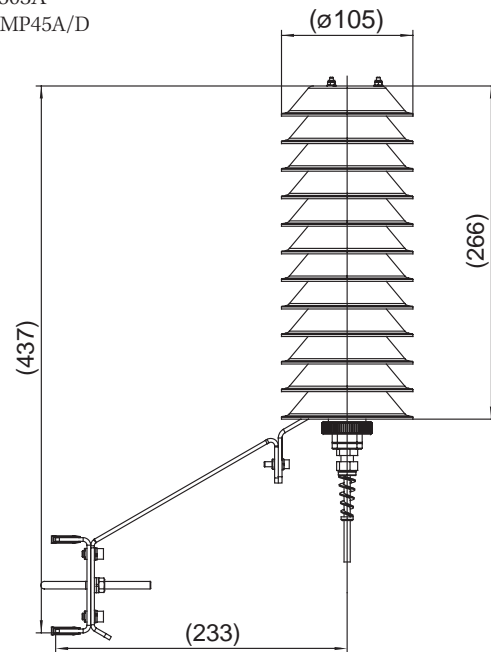
DTR502B horizontal beam installation.



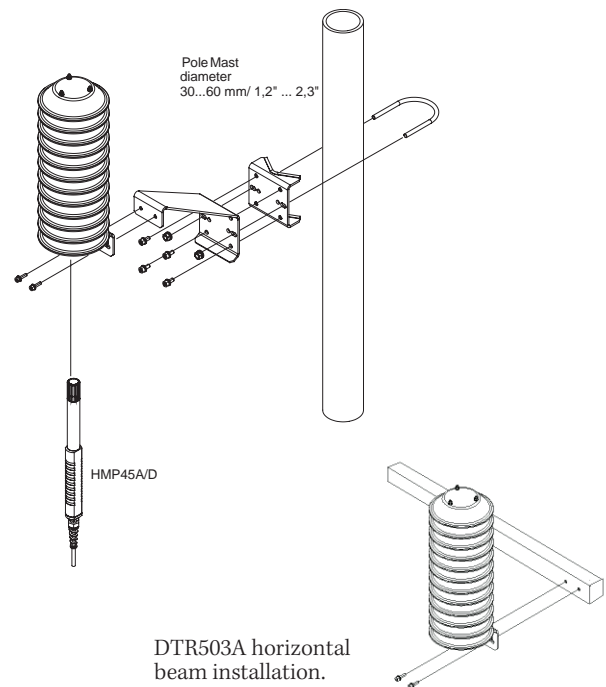
Dimensions

Dimensions in mm.

DTR503A
for HMP45A/D



DTR503A pole mast installation.



DTR503A horizontal beam installation.

Specifications subject to change without prior notice.
©Vaisala Oyj